

PANEL ACCESSORIES

Locks



| | | | | |
|--|---|---|---|---|
| PL-001 Zinc Lock Small (Slotted) | PL-002 Small Lock for Meter Box | PL-003 Zinc Lock | PL-004 Zinc Lock Pad Locking Type | PL-005 Zinc Lock Sq. 7mm |
| PL-006 Zinc Lock Sq. 8mm | PL-007 Zinc Lock Triangle 6.5mm | PL-008 Zinc Lock Triangle 7mm | PL-009 Zinc Lock (Slotted) | PL-010 Zinc Lock Sq. Face |
| PL-011 Wing Lock zinc casted | PL-011A Wing Lock in Polyamide | PL-012 Wing Lock Long | PL-013 SC-1 Double Bit Q.T. Lock | PL-014 SC-2 Triangle 7mm |
| PL-015 SC-3 7mm Sq. Recessed | PL-016 SC-4 7mm Sq. Raised | PL-017 SC-5 8mm Sq. Raised | PL-018 Compression Lock (Big) | PL-019 Spring Loaded Lock |
| PL-020 Die-cast Push to open Lock (Small Size) | PL-020A Die-cast Push to open Lock (Big Size) | PL-021 Compression Lock with screw adjustment | PL-022 P. A. Lock | PL-023 Plastic Lock 3 Piece |
| PL-024 Side Lock Small | PL-025 Side Lock Big | PL-026 Side Lock Special | PL-027 Zinc Lock Spring Loaded | PL-028 P.A. Lock with Zinc Insert |

PANEL ACCESSORIES

Locks



| | | | | |
|---|---|--|---|---|
| PL-029 Zinc Lock Screw Driver Operate | PL-030 Zinc Lock with Shutter | PL-031 Zinc Lock with Square Bit | PL-032 Zinc Lock with Square Face | PL-033 |
| PL-034 | PL-035 | PL-036 | PL-037 | PL-038 Compression Lock (Small) |

Keys

| | | | | |
|--|--|---|--|---|
| KE-001 Key for Zinc Lock Type 1 | KE-002 Key for Zinc Lock Type 2 | KE-003 Key for Zinc Lock Type 3 | KE-004 Key for Triangle Lock 7/8mm | KE-005 Key for Square Lock Recessed |
| KE-006 Key for Square Lock 6.5/7mm | KE-007 Key for Meter Box Lock | KE-008 Key for P.A. Lock 'L' Type | KE-009 Key for P.A. Lock Wing Type | KE-010 Key for Screw Drive Lock |
| KE-011 Key for Triangular Lock | KE-012 P.A. Key for Screw Drive Lock | KE-013 P.A. Key for Triangular Lock | | |

PANEL ACCESSORIES

Key Locks



| | | | | |
|---|--|---|--|--|
| KL-001  Small Lock with Key | KL-002  Zink Lock with Key | KL-003  GD Lock Long Body | KL-004  GD Lock Small Body | KL-005  Wing Lock Small with Key |
| PL-006  Wing Lock Big with Key | PL-008  Slam Lock | PL-012  Wing Handle Small with Key Type 2 | PL-013  Zinc Lock with small Key | PL-014  Zinc Lock with big Key |
| PL-015  PUSH to Close Latch (P.A.) | PL-016  Square Lock with Key | PL-017  Square Lock without Key | PL-018  | PL-019  |
| KL-007A  'T' Handle (Zinc Die Cast) | KL-007  'T' Handle (P.A.) | KL-008  'L' Handle (Zinc Die Cast) | | |
| KL-010  'L' Handle with P.A. Base | KL-011  'L' Handle P.A. Base Pad Lock Type | KL-020  'L' Handle with Key | | |

PANEL ACCESSORIES

Rod Latch System (Flat Rods)



RL-001



Rod Latch Mechanism LH/RH

RL-002



Front Plate for Double Bit

RL-003



Front Plate with 'L' Handle with Lock & without Lock

RL-004



Front Plate with 'T' Handle with Lock & without Lock

RL-006



Wratchet Lock for Cabinets

RL-007



Wratchet Lock for Small Cabinets

RL-011

Rod Guide P.A. 2 Nos.



RL-012
Rod Guide Zinc 2 Nos.

RL-013
Rod Guide Center P.A.

RL-014



Flat Rods

RL-015



Fastening Hook

RL-016



Twisted Flat Rod

RL-005



'L' Handle with extended Rod

RL-008



3 Point Lock
Connected with Key

RL-009



Latch Lock

PANEL ACCESSORIES

Slam Latch Locks



SL-001



Slam Latch Lock PC

SL-002



Slam Latch Lock SS

SL-003



Freezer Door Lock

SL-004



T Lock (S.S.)

SL-005



Slam Lock (With Zinc Coated Cover)

SL-006



Compression Lock

SL-007



Slam Lock



SL-008



Left off Turn

Hinges

HN-001



Concealed Hinge 20mm

HN-002



Concealed Hinge 26mm

HN-003



Concealed Hinge 20mm Weld-on

HN-004



Concealed Hinge 120°

HN-004A



Small Size

HN-005



Zinc / Die-cast Hinge 180°

HN-006



M.S. Hinge Big

HN-007



M.S. Hinge Small

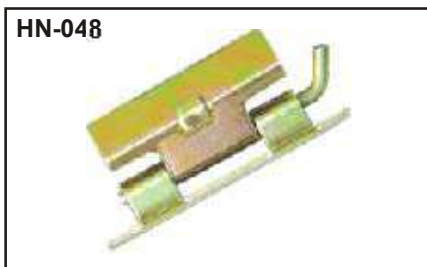
PANEL ACCESSORIES

Hinges



PANEL ACCESSORIES

Hinges



PANEL ACCESSORIES

Hinges



HN-017



Heavy Duty Hinge for Acoustic enclosures 5 Hole

HN-018



Tail Gate Hinge Big

HN-019



Tail Gate Hinge Small

HN-051



HN-052



HN-053



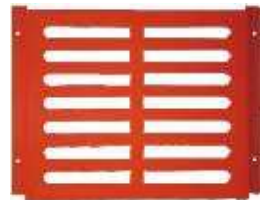
DOCUMENT HOLDERS

CDX-001



A5 Size

CDX-002



A4 Size Regular 18mm Deep

CDX-003



A4 Extra 35mm Deep

OAC-001



Cable Ally Shroud

EARTH BLOCK / CONNECTORS

EXP-001



House Service Cutout 100 Amp

EXP-002



Earth Block 14 Way

EXP-005



Terminal Block for Street Light Cutouts

EXP-004



Natural Supports Small / Medium / Big

EXP-006



Earth Bar 0.5 Mtr. & 1 Mtr.

EXP-007



Natural Bar with Nylon Base 7W / 10W / 13W

EXP-008



Telephone Junction Box Connectors 20 Pairs & 40 Pairs

EXP-009

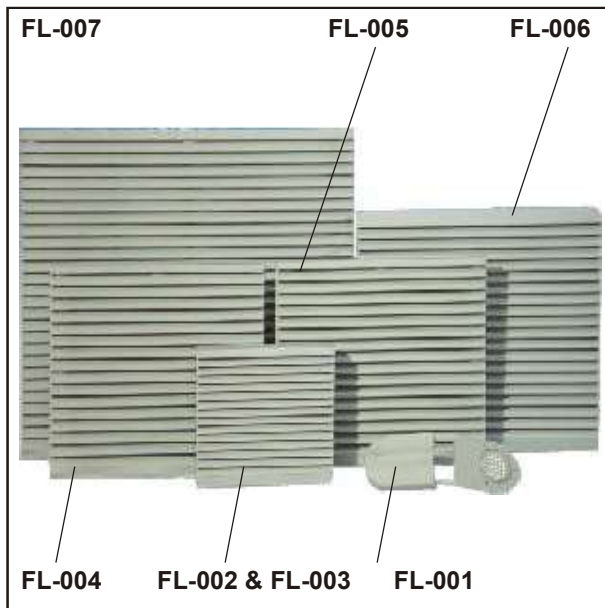


PANEL ACCESSORIES

Plug & Socket



Filters



- | | | |
|--------------------------------------|---|--|
| FL-001 Air Vent | FL-005 203 x 203 mm Snap Fitting (With provision for mounting Axial Flow Fan) | FL-008 Adaptor for Fan Mounting |
| FL-002 130 x 130 mm Surface Mounting | FL-006 230 x 230 mm Surface Mounting | FL-009 184 x 184 mm Surface Mounting |
| FL-003 130 x 130 mm Snap Fitting | FL-007 320 x 325 mm Snap Fitting | FL-010 256 x 256 mm Snap Fitting |
| FL-004 203 x 203 mm Snap Types | | FL-011 256 x 256 mm Snap Fitting with Fan Mounting |

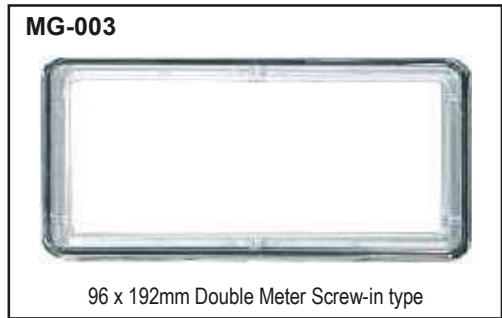
• All Filters are supplied with synthetic washable filter media for filtering dust upto 5 microns • All Filters supplied with Gaskets for IP 55.

PANEL ACCESSORIES

Connectors



Meter Glass



Box

